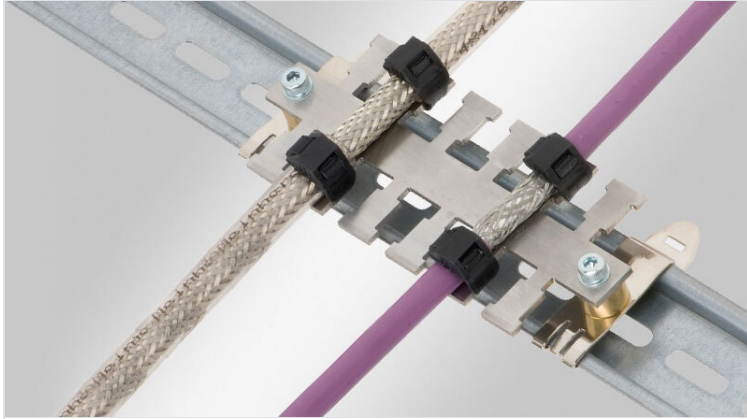


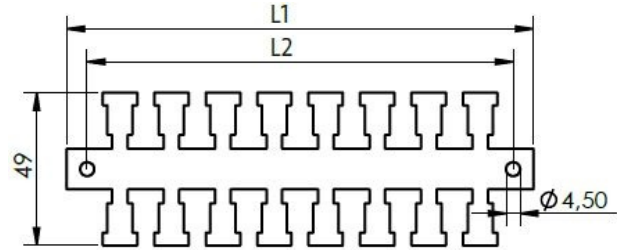
KAFM-EMC cable assembly with strain relief

for shield earthing and simultaneous strain relief



The EMC strain relief plate KAFM is practical for earthing interferences on the cable shield.

The cable assembly can be assembled on a mounting plate with screws, with SC-feet on C section rails C30 or with MF-feet on 35 mm top hat DIN rails.



RoHS compliant



Made in Germany



Specifications

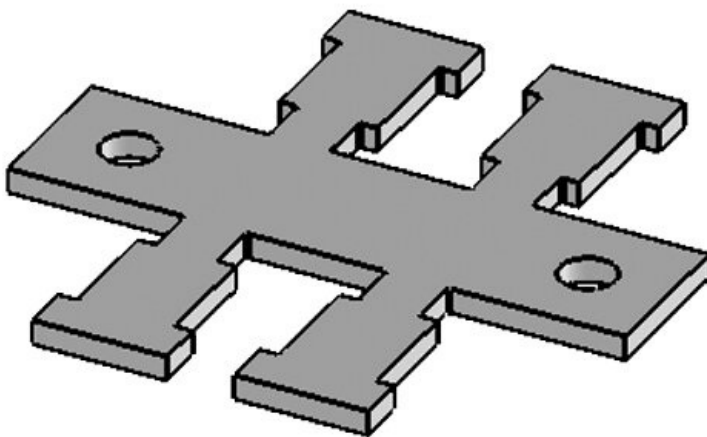
Material	Stainless steel
Properties	vibration proof
Mounting options	Snap-in, Screw type mounting

Advantages & benefits

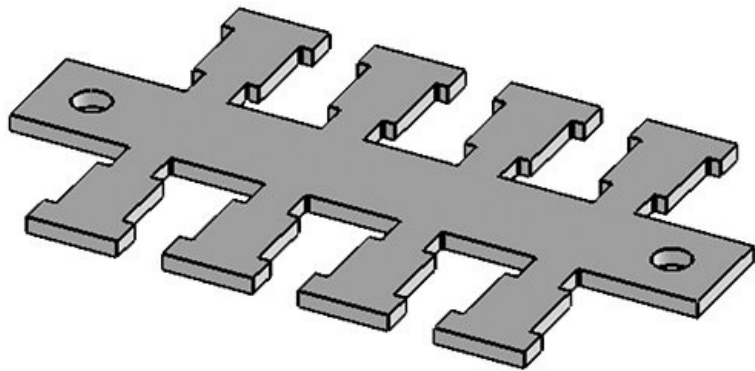
- Universal solution

Product types & sizes

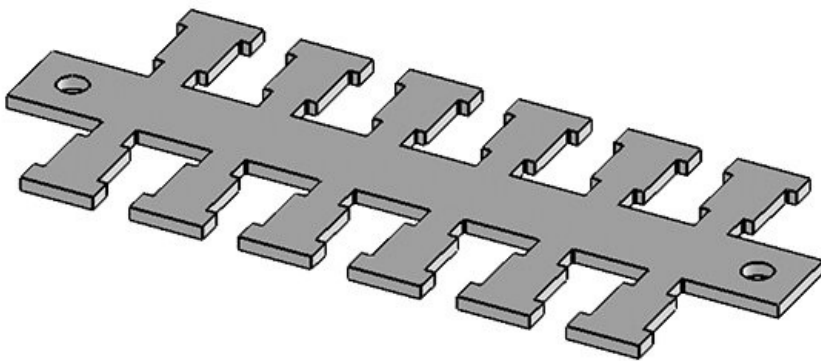
KAFM 2



Part No.	36422	Length L2	37,5 mm
EAN	4251269302	Width	49 mm
	657	Height	2 mm
Package quantity	1	No. of screw holes	2
Hole size	M4	Diam. of screw holes	4,5
Strain relief (acc. to EN 62444)	1	No. of teeth	2
For max. no. of cables			
Length L1	50,5 mm		

KAFM 4

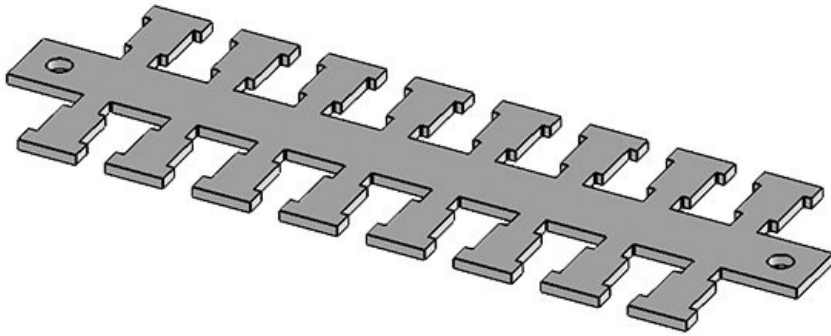
Part No.	36424	Length L2	70,5 mm
EAN	4251269302	Width	49 mm
	664	Height	2 mm
Package quantity	1	No. of screw holes	2
Hole size	M4	Diam. of screw	4,5 mm
Strain relief (acc. to EN 62444)	1	No. of teeth	4
For max. no. of cables	4		
Length L1	83,5 mm		

KAFM 6

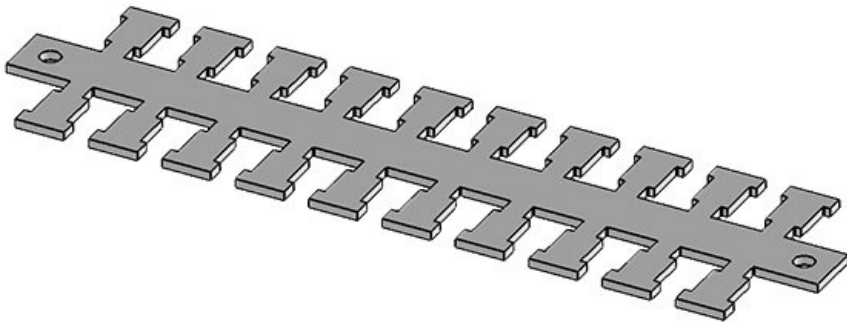
Part No.	36426	Length L2	103,5 mm
EAN	4251269302	Width	49 mm
	671	Height	2 mm
Package quantity	1	No. of screw holes	2
Hole size	M4	Diam. of screw	4,5 mm
Strain relief (acc. to EN 62444)	1	No. of teeth	6
For max. no. of cables	6		
Length L1	116,5 mm		

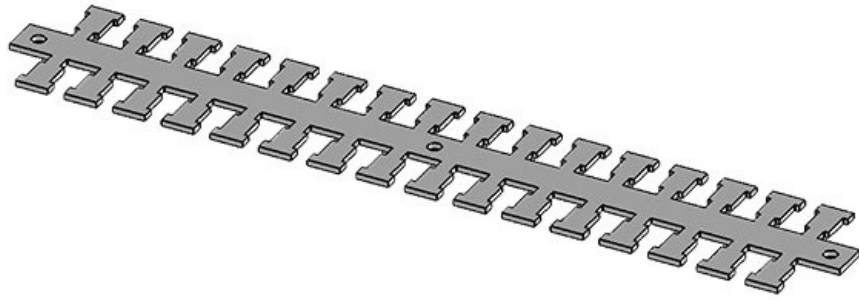
KAFM 8

Part No.	36428	Length L2	136,5 mm
EAN	4251269302	Width	49 mm
	688	Height	2 mm
Package quantity	1	No. of screw holes	2
Hole size	M4	Diam. of screw	4,5 mm
Strain relief (acc. to EN 62444)	1	holes	
For max. no. of cables		No. of teeth	8
Length L1	149,5 mm		

**KAFM 10**

Part No.	36430	Length L2	169,5 mm
EAN	4251269302	Width	49 mm
	695	Height	2 mm
Package quantity	1	No. of screw holes	2
Hole size	M4	Diam. of screw	4,5 mm
Strain relief (acc. to EN 62444)	1	holes	
For max. no. of cables		No. of teeth	10
Length L1	182,5 mm		



KAFM 16

Part No.	36530	Length L2	268,5 mm
EAN	4251269303	Width	49 mm
	081	Height	2 mm
Package quantity	1	No. of screw holes	3
Hole size	M4	Diam. of screw holes	4,5 mm
Strain relief (acc. to EN 62444)	1	No. of teeth	16
For max. no. of cables	16		
Length L1	281,5 mm		

KAFM 29

Part No.	36540	Length L2	481,5 mm
EAN	4251269303	Width	49 mm
	098	Height	2 mm
Package quantity	1	No. of screw holes	5
Hole size	M4	Diam. of screw holes	4,5 mm
Strain relief (acc. to EN 62444)	1	No. of teeth	29
For max. no. of cables	29		
Length L1	494,5 mm		

KAFM 59

Part No.	36550	Length L2	978 mm
EAN	4251269303	Width	49 mm
	104	Height	2 mm
Package quantity	1	No. of screw holes	5
Hole size	M4	Diam. of screw holes	4,5 mm
Strain relief (acc. to EN 62444)	1	No. of teeth	59
For max. no. of cables	59		
Length L1	990 mm		

**KAFM 59 zn**

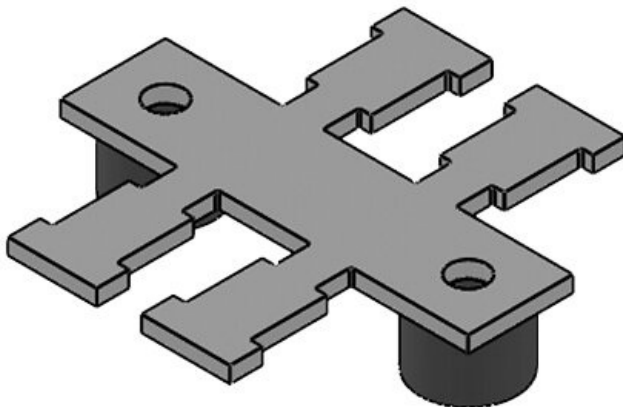
Part No.	36562	Length L2	978 mm
EAN	4251269303	Width	49 mm
	111	Height	2 mm
Package quantity	1	No. of screw holes	5
Hole size	M4	Diam. of screw holes	4,5 mm
Strain relief (acc. to EN 62444)	1	No. of teeth	59
For max. no. of cables	59		
Length L1	990 mm		





Part No. **36234**
EAN **4251269302**
275
Package quantity **10**
Hole size **M4**
Strain relief **1**
(acc. to EN 62444)
Length **12 mm**
Height **8 mm**

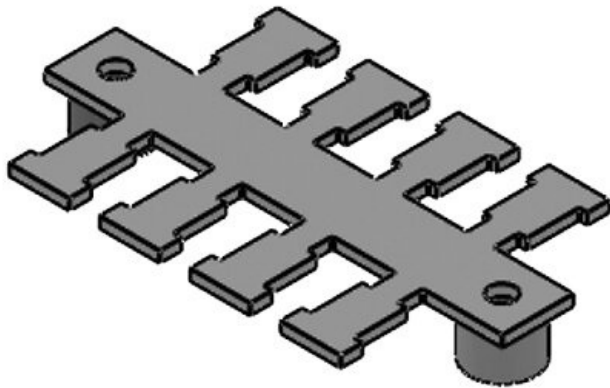
KAFM 2|DH



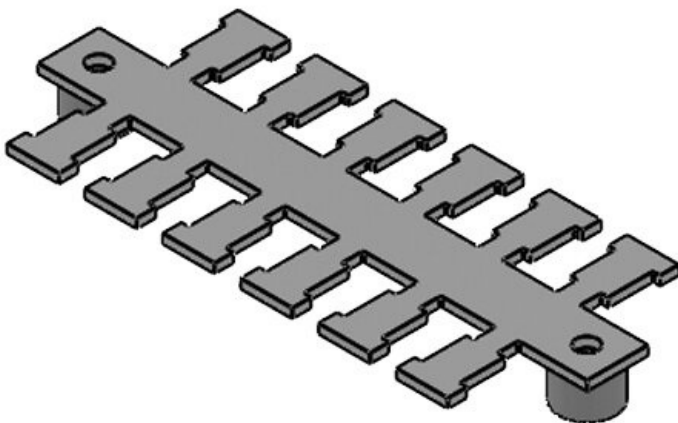
Part No. **36482** Width **49 mm**
EAN **4251269302** Height **10 mm**
930 No. of screw **2**
Package quantity **1** holes
Strain relief **1** Diam. of screw **4,5 mm**
(acc. to EN 62444) holes
No. of teeth **2**
For max. no. of **2**
cables
Length L1 **50,5 mm**
Length L2 **37,5 mm**

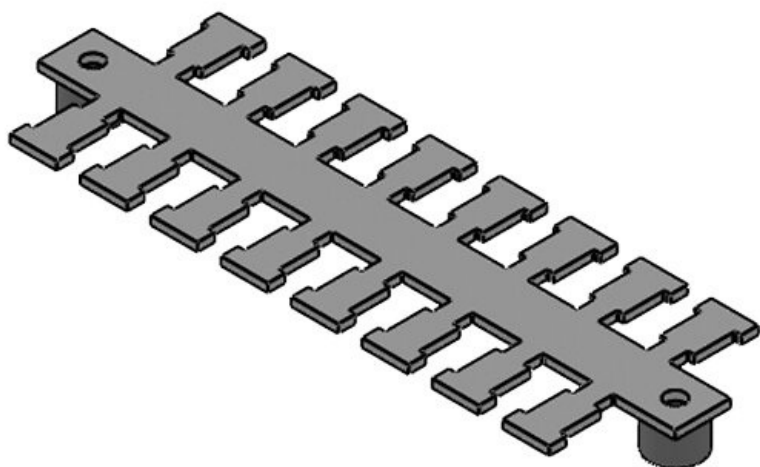
KAFM 4|DH

Part No.	36484	Width	49 mm
EAN	4251269302	Height	10 mm
	947	No. of screw	2
Package quantity	1	holes	
Strain relief (acc. to EN 62444)	1	Diam. of screw	4,5 mm
		holes	
For max. no. of cables	4	No. of teeth	4
Length L1	83,5 mm		
Length L2	70,5 mm		

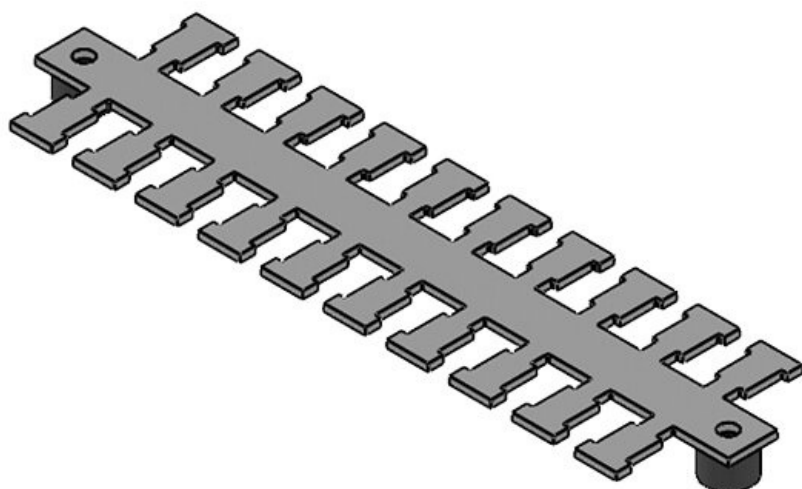
**KAFM 6|DH**

Part No.	36486	Width	49 mm
EAN	4251269302	Height	10 mm
	954	No. of screw	2
Package quantity	1	holes	
Strain relief (acc. to EN 62444)	1	Diam. of screw	4,5 mm
		holes	
For max. no. of cables	6	No. of teeth	6
Length L1	116,5 mm		
Length L2	103,5 mm		



KAFM 8|DH

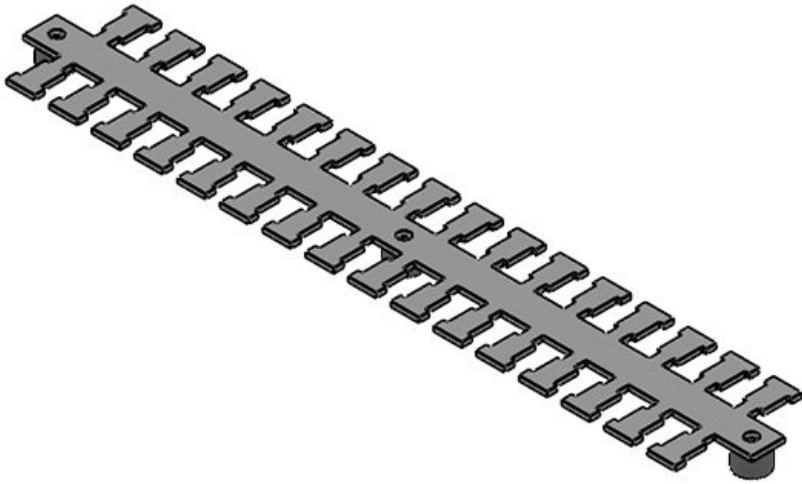
Part No.	36488	Width	49 mm
EAN	4251269302	Height	10 mm
	961	No. of screw	2
Package	1	holes	
quantity		Diam. of screw	4,5 mm
Strain relief	1	holes	
(acc. to EN 62444)		No. of teeth	8
For max. no. of	8		
cables			
Length L1	149,5 mm		
Length L2	136,5 mm		

KAFM 10|DH

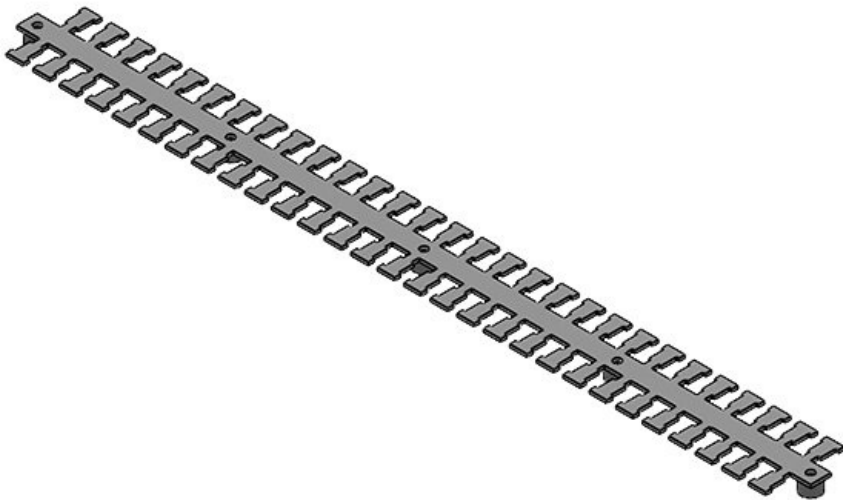
Part No.	36490	Width	49 mm
EAN	4251269302	Height	10 mm
	978	No. of screw	2
Package	1	holes	
quantity		Diam. of screw	4,5 mm
Strain relief	1	holes	
(acc. to EN 62444)		No. of teeth	10
For max. no. of	10		
cables			
Length L1	182,5 mm		
Length L2	169,5 mm		

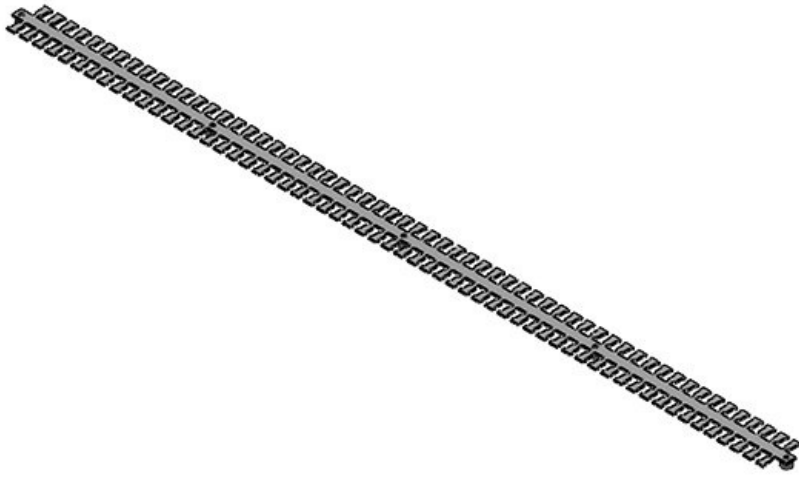
KAFM 16|DH

Part No.	36460	Width	49 mm
EAN	4251269302	Height	10 mm
	848	No. of screw	3
Package	1	holes	
quantity		Diam. of screw	4,5 mm
Strain relief	1	holes	
(acc. to EN		No. of teeth	16
62444)			
For max. no. of	16		
cables			
Length L1	281,5 mm		
Length L2	268,5 mm		

**KAFM 29|DH**

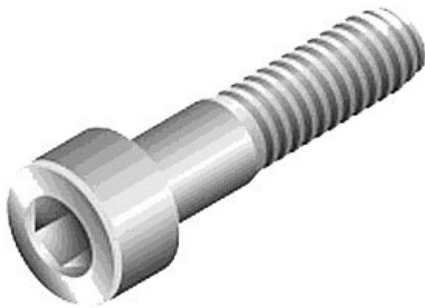
Part No.	36462	Width	49 mm
EAN	4251269302	Height	10 mm
	855	No. of screw	5
Package	1	holes	
quantity		Diam. of screw	4,5 mm
Strain relief	1	holes	
(acc. to EN		No. of teeth	29
62444)			
For max. no. of	29		
cables			
Length L1	494,5 mm		
Length L2	481,5 mm		





Part No.	36464	Width	49 mm
EAN	4251269302	Height	10 mm
	862	No. of screw holes	5
Package quantity	1	Diam. of screw holes	4,5 mm
Strain relief (acc. to EN 62444)	1	No. of teeth	59
For max. no. of 59 cables			
Length L1	990 mm		
Length L2	978 mm		

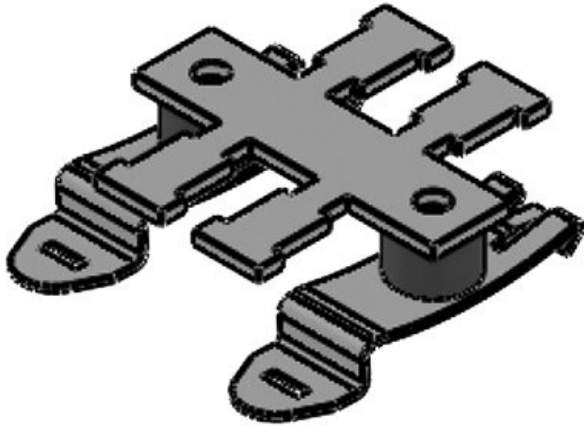
Screw M4 x 16 DIN 912



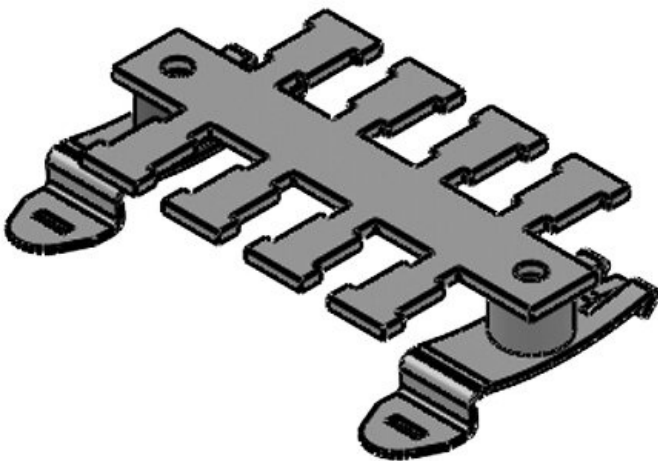
Part No.	99017
EAN	4251269316
	494
Package quantity	10
Strain relief (acc. to EN 62444)	1
Length	20 mm
Height	7 mm

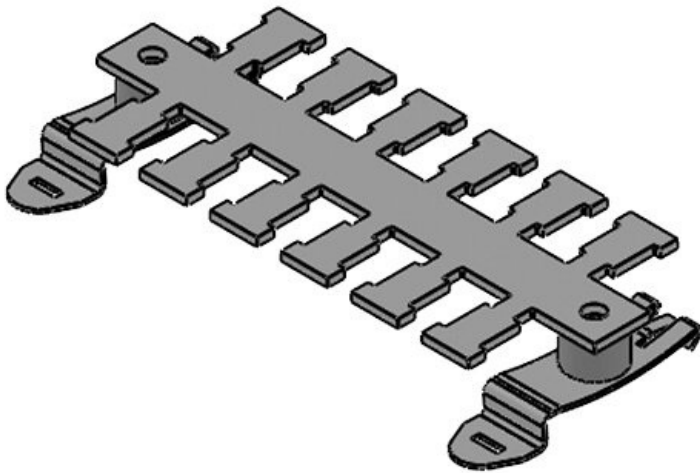
KAFM 2|SF

Part No.	36442	Length L1	50,5 mm
EAN	4251269302	Length L2	37,5 mm
	756	No. of teeth	2
Package quantity	1		
Width	49 mm		
Height	19 mm		
Strain relief	1		
(acc. to EN 62444)			
For max. no. of cables	2		

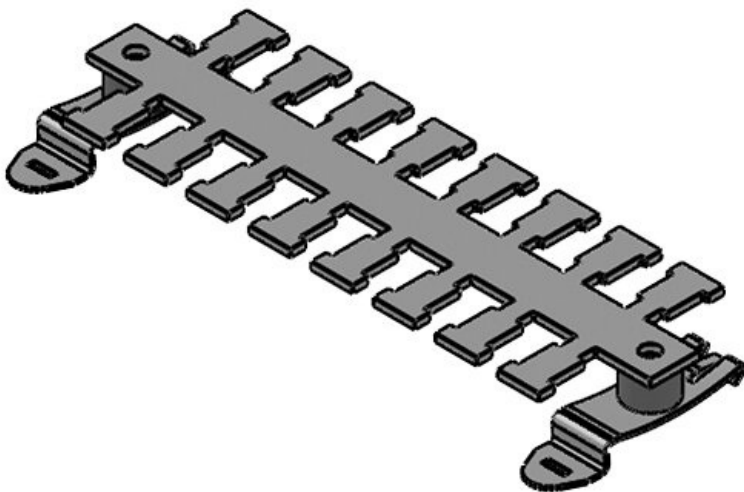
**KAFM 4|SF**

Part No.	36444	Length L1	83,5 mm
EAN	4251269302	Length L2	70,5 mm
	763	No. of teeth	4
Package quantity	1		
Width	49 mm		
Height	19 mm		
Strain relief	1		
(acc. to EN 62444)			
For max. no. of cables	4		



KAFM 6|SF

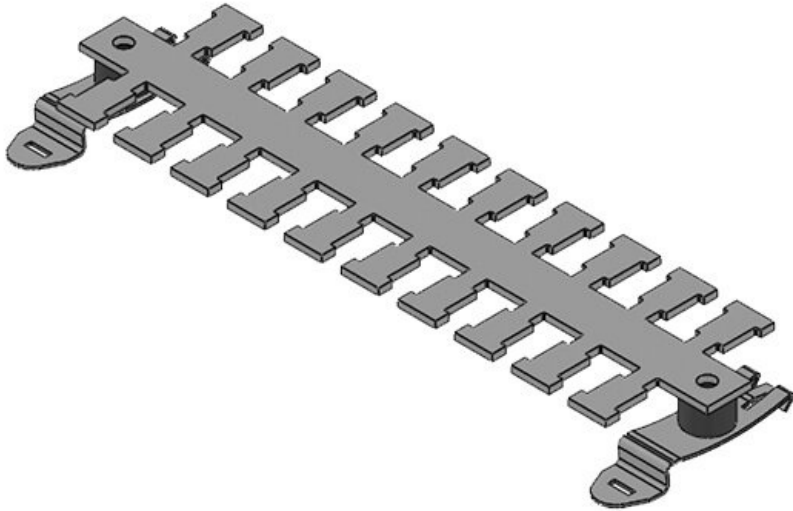
Part No.	36446	Length L1	116,5 mm
EAN	4251269302	Length L2	103,5 mm
	770	No. of teeth	6
Package quantity	1		
Width	49 mm		
Height	19 mm		
Strain relief	1		
(acc. to EN 62444)			
For max. no. of cables	6		

KAFM 8|SF

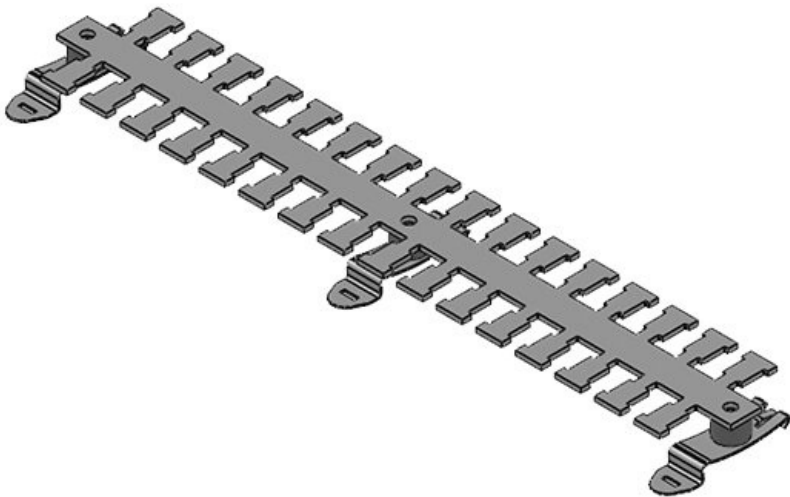
Part No.	36448	Length L1	149,5 mm
EAN	4251269302	Length L2	136,5 mm
	787	No. of teeth	8
Package quantity	1		
Width	49 mm		
Height	19 mm		
Strain relief	1		
(acc. to EN 62444)			
For max. no. of cables	8		

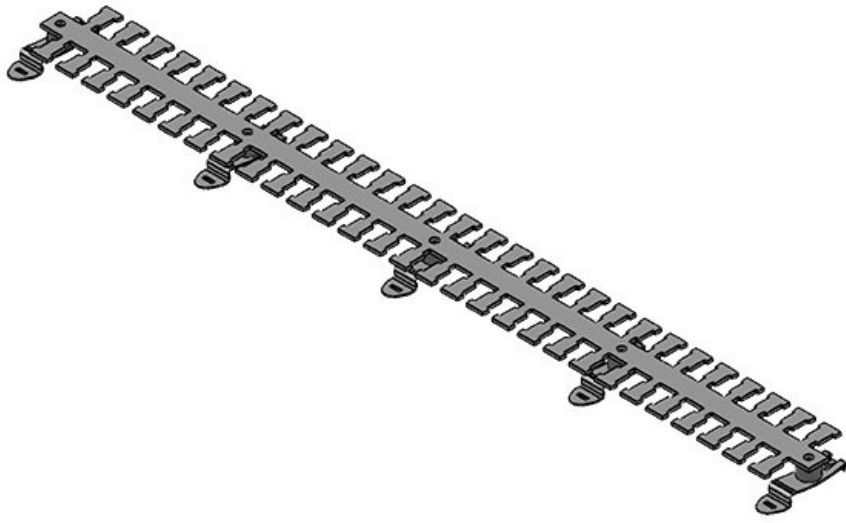
KAFM 10|SF

Part No.	36450	Length L1	182,5 mm
EAN	4251269302794	Length L2	169,5 mm
		No. of teeth	10
Package quantity	1		
Width	49 mm		
Height	19 mm		
Strain relief (acc. to EN 62444)	1		
For max. no. of cables	10		

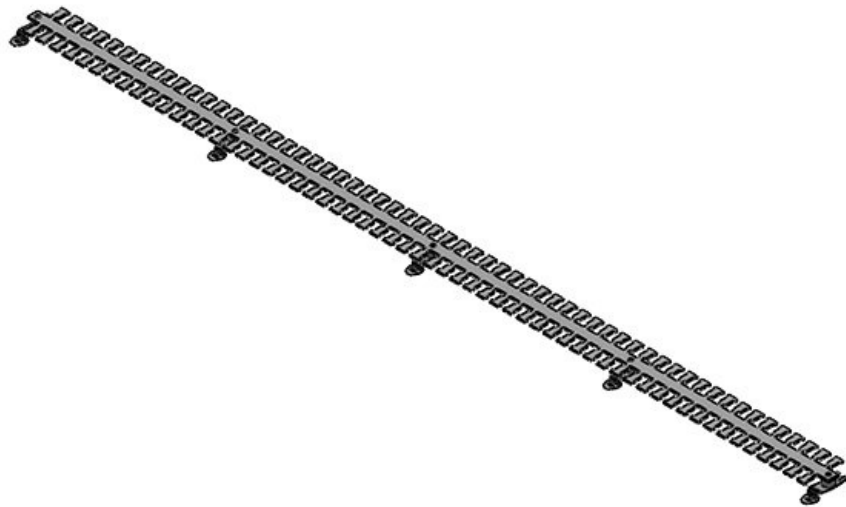
**KAFM 16|SF**

Part No.	36452	Length L1	281,5 mm
EAN	4251269302800	Length L2	268,5 mm
		No. of teeth	16
Package quantity	1		
Width	49 mm		
Height	19 mm		
Strain relief (acc. to EN 62444)	1		
For max. no. of cables	16		



KAFM 29|SF

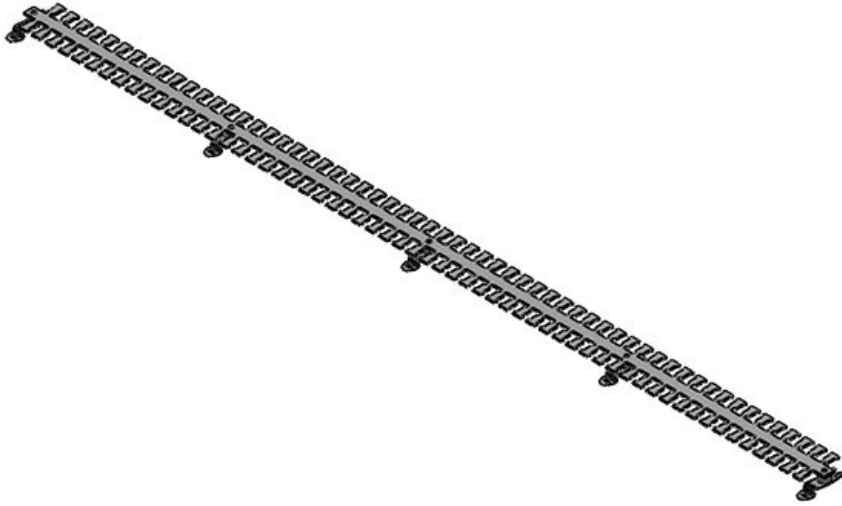
Part No.	36454	Length L1	494,5 mm
EAN	4251269302	Length L2	481,5 mm
	817	No. of teeth	29
Package quantity	1		
Width	49 mm		
Height	19 mm		
Strain relief (acc. to EN 62444)	1		
For max. no. of cables	29		

KAFM 59|SF

Part No.	36458	Length L1	990 mm
EAN	4251269302	Length L2	978 mm
	824	No. of teeth	59
Package quantity	1		
Width	49 mm		
Height	19 mm		
Strain relief (acc. to EN 62444)	1		
For max. no. of cables	59		

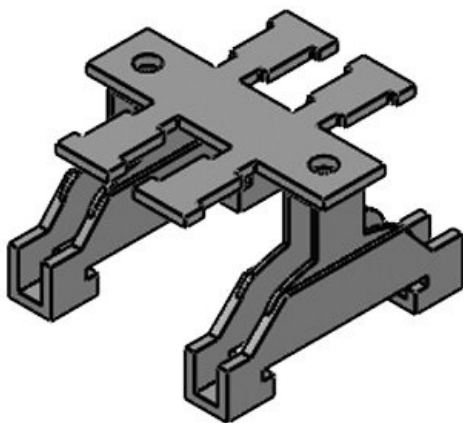
KAFM 59|SF zn

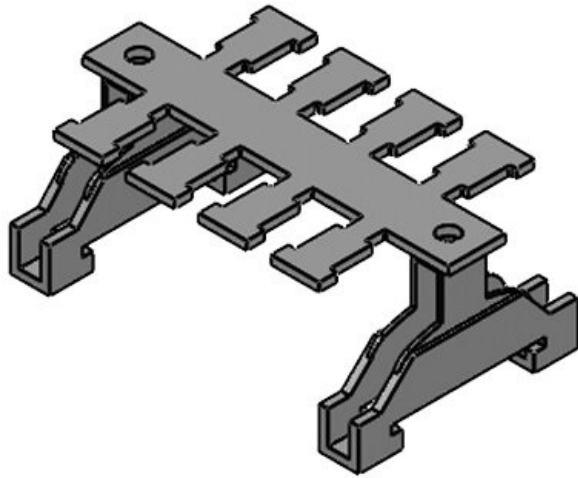
Part No.	36459	Length L1	990 mm
EAN	4251269302	Length L2	978 mm
	831	No. of teeth	59
Package quantity	1		
Width	49 mm		
Height	19 mm		
Strain relief (acc. to EN 62444)	1		
For max. no. of cables	59		



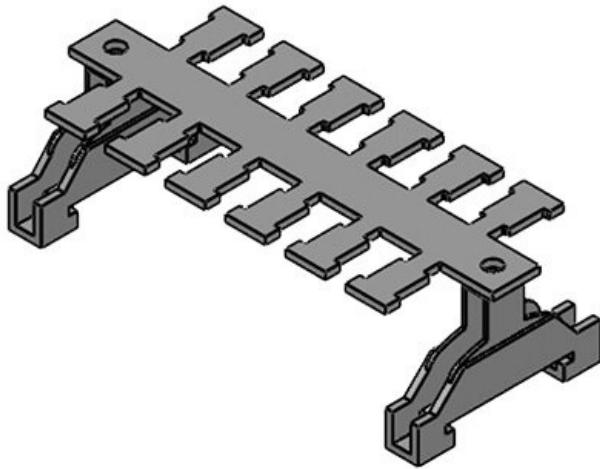
KAFM 2|SK

Part No.	36432	Length L1	50,5 mm
EAN	4251269302	Length L2	37,5 mm
	701	No. of teeth	2
Package quantity	1		
Width	49 mm		
Height	36 mm		
Strain relief (acc. to EN 62444)	1		
For max. no. of cables	2		



KAFM 4|SK

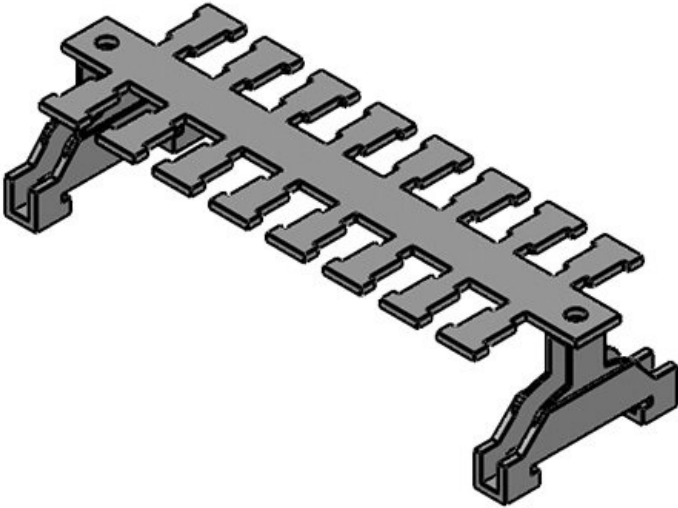
Part No.	36434	Length L1	83,5 mm
EAN	4251269302	Length L2	70,5 mm
	718	No. of teeth	4
Package quantity	1		
Width	49 mm		
Height	36 mm		
Strain relief	1		
(acc. to EN 62444)			
For max. no. of cables	4		

KAFM 6|SK

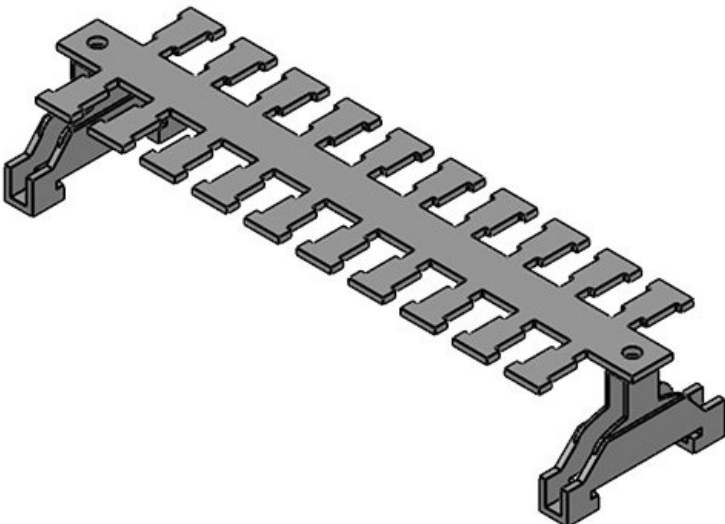
Part No.	36436	Length L1	116,5 mm
EAN	4251269302	Length L2	103,5 mm
	725	No. of teeth	6
Package quantity	1		
Width	49 mm		
Height	36 mm		
Strain relief	1		
(acc. to EN 62444)			
For max. no. of cables	6		

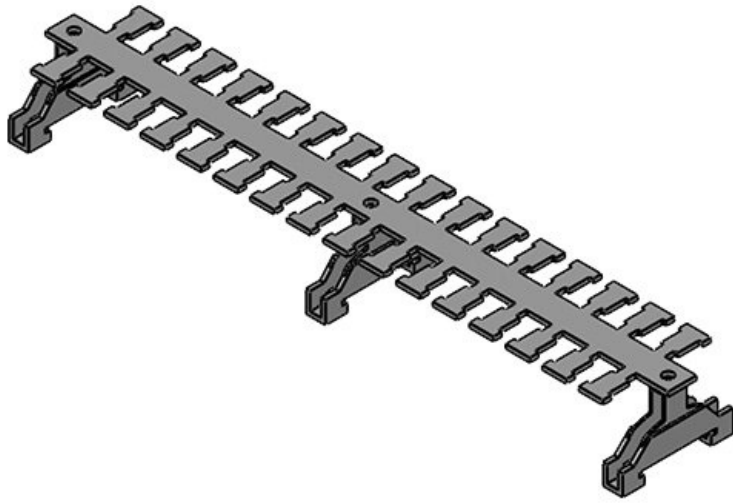
KAFM 8|SK

Part No.	36438	Length L1	149,5 mm
EAN	4251269302	Length L2	136,5 mm
	732	No. of teeth	8
Package quantity	1		
Width	49 mm		
Height	36 mm		
Strain relief (acc. to EN 62444)	1		
For max. no. of cables	8		

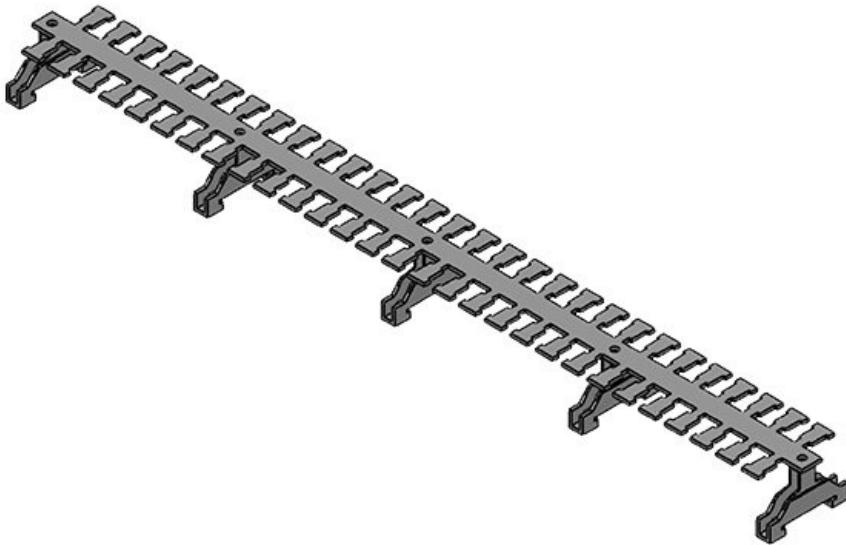
**KAFM 10|SK**

Part No.	36440	Length L1	182,5 mm
EAN	4251269302	Length L2	169,5 mm
	749	No. of teeth	10
Package quantity	1		
Width	49 mm		
Height	36 mm		
Strain relief (acc. to EN 62444)	1		
For max. no. of cables	10		



KAFM 16|SK

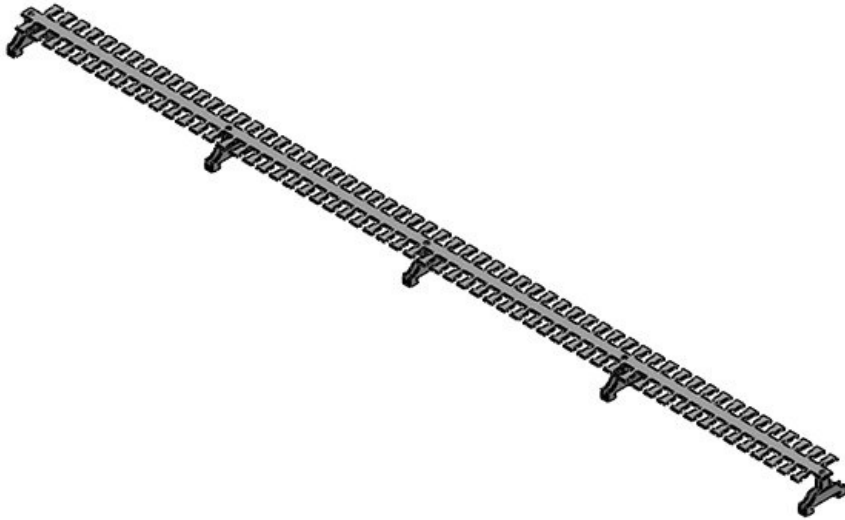
Part No.	36470	Length L1	281,5 mm
EAN	4251269302	Length L2	268,5 mm
	909	No. of teeth	16
Package quantity	1		
Width	49 mm		
Height	36 mm		
Strain relief (acc. to EN 62444)	1		
For max. no. of cables	16		

KAFM 29|SK

Part No.	36471	Length L1	494,5 mm
EAN	4251269302	Length L2	481,5 mm
	916	No. of teeth	29
Package quantity	1		
Width	49 mm		
Height	36 mm		
Strain relief (acc. to EN 62444)	1		
For max. no. of cables	29		

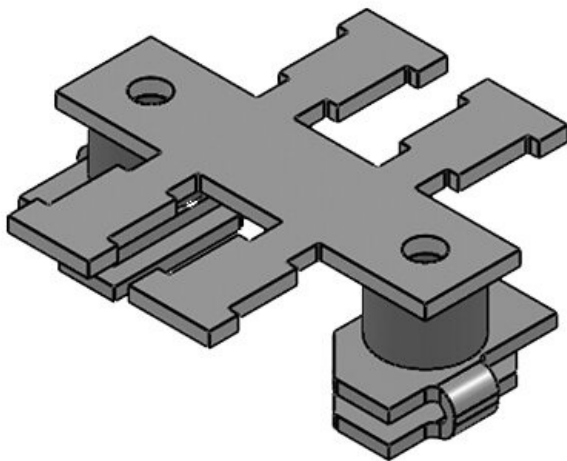
KAFM 59|SK

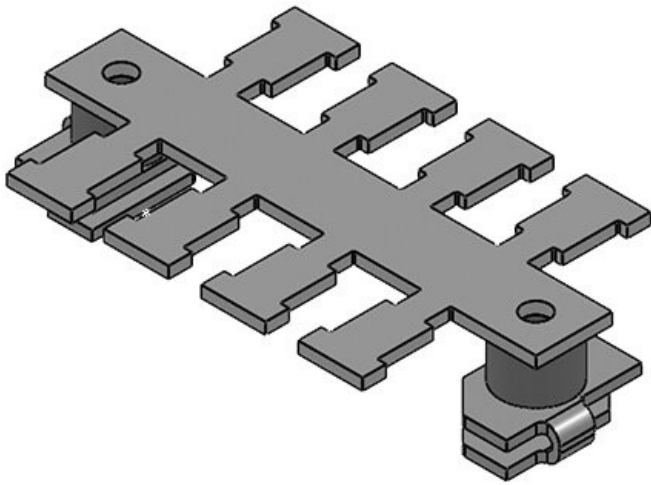
Part No.	36472	Length L1	990 mm
EAN	4251269302	Length L2	978 mm
	923	No. of teeth	59
Package quantity	1		
Width	49 mm		
Height	36 mm		
Strain relief (acc. to EN 62444)	1		
For max. no. of cables	59		



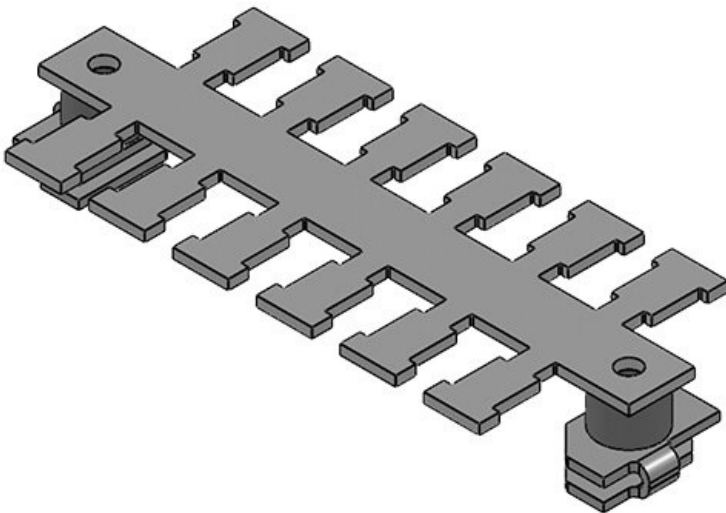
KAFM 2|SC

Part No.	36412	Length L1	50,5 mm
EAN	4251269302	Length L2	37,5 mm
	619	No. of teeth	2
Package quantity	1		
Width	49 mm		
Height	19 mm		
Strain relief (acc. to EN 62444)	1		
For max. no. of cables	2		



KAFM 4|SC

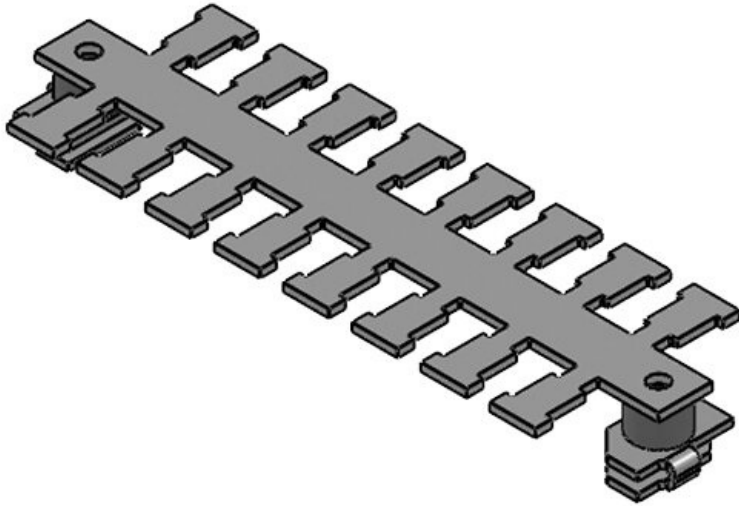
Part No.	36414	Length L1	83,5 mm
EAN	4251269302	Length L2	70,5 mm
	626	No. of teeth	4
Package quantity	1		
Width	49 mm		
Height	19 mm		
Strain relief	1		
(acc. to EN 62444)			
For max. no. of cables	4		

KAFM 6|SC

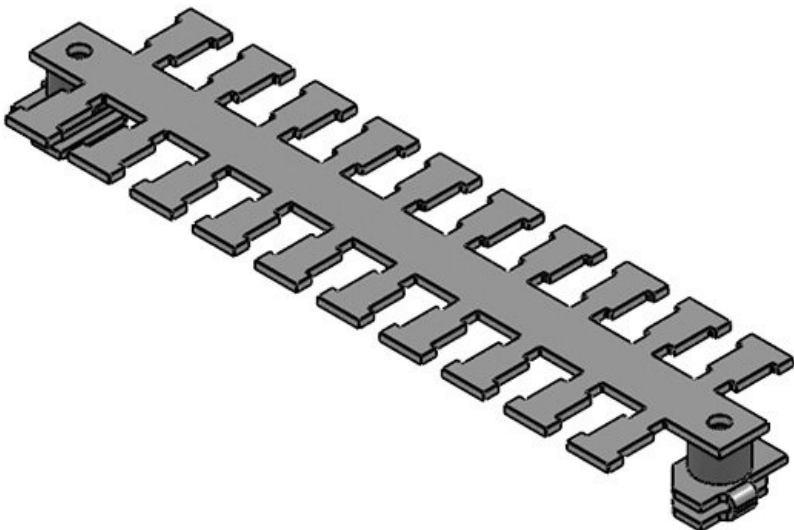
Part No.	36416	Length L1	116,5 mm
EAN	4251269302	Length L2	103,5 mm
	633	No. of teeth	6
Package quantity	1		
Width	49 mm		
Height	19 mm		
Strain relief	1		
(acc. to EN 62444)			
For max. no. of cables	6		

KAFM 8|SC

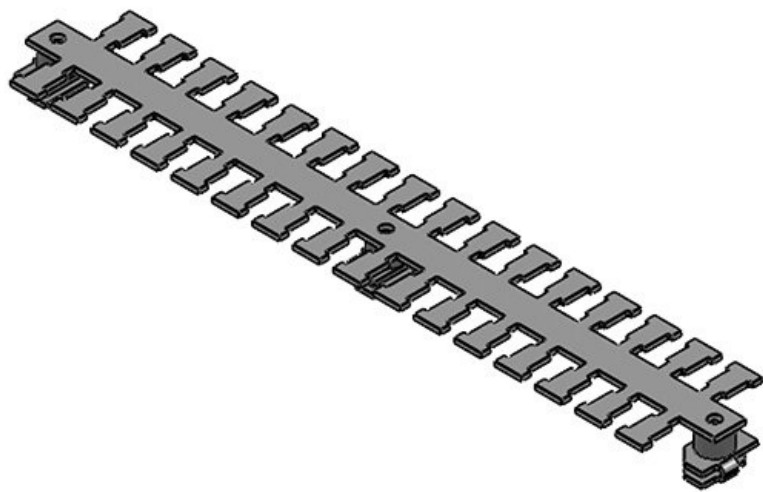
Part No.	36418	Length L1	149,5 mm
EAN	4251269302	Length L2	136,5 mm
	640	No. of teeth	8
Package quantity	1		
Width	49 mm		
Height	19 mm		
Strain relief (acc. to EN 62444)	1		
For max. no. of cables	8		

**KAFM 10|SC**

Part No.	36400	Length L1	182,5 mm
EAN	4251269302	Length L2	169,5 mm
	602	No. of teeth	10
Package quantity	1		
Width	49 mm		
Height	19 mm		
Strain relief (acc. to EN 62444)	1		
For max. no. of cables	10		

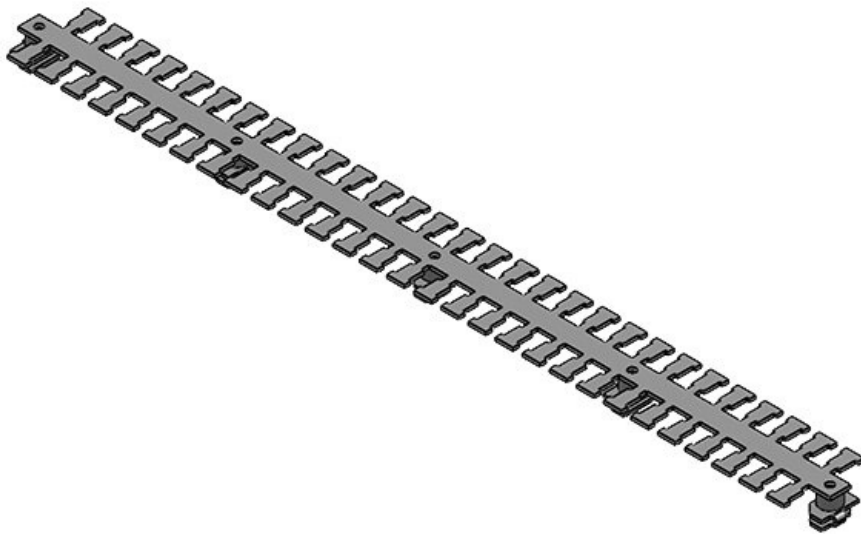


KAFM 16|SC



Part No.	36465	Length L1	281,5 mm
EAN	4251269302879	Length L2	268,5 mm
		No. of teeth	16
Package quantity	1		
Width	49 mm		
Height	19 mm		
Strain relief (acc. to EN 62444)	1		
For max. no. of cables	16		

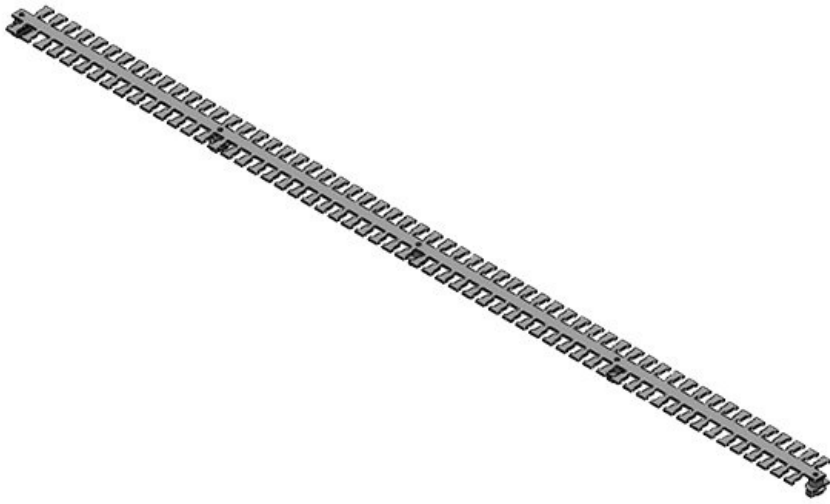
KAFM 29|SC



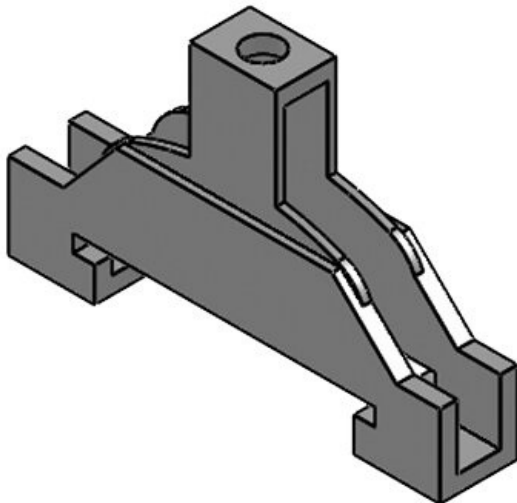
Part No.	36466	Length L1	494,5 mm
EAN	4251269302886	Length L2	481,5 mm
		No. of teeth	29
Package quantity	1		
Width	49 mm		
Height	19 mm		
Strain relief (acc. to EN 62444)	1		
For max. no. of cables	29		

KAFM 59|SC

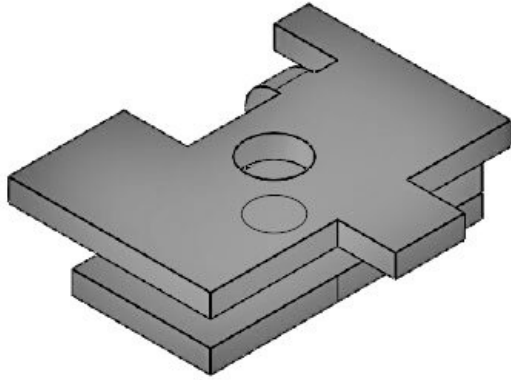
Part No.	36467	Length L1	990 mm
EAN	4251269302	Length L2	978 mm
	893	No. of teeth	59
Package quantity	1		
Width	49 mm		
Height	19 mm		
Strain relief (acc. to EN 62444)	1		
For max. no. of cables	59		



SK single



Part No.	36232	Diam. of screw	5,1 mm
EAN	4251269302	holes	
	268		
Package quantity	10		
Length	50 mm		
Width	9 mm		
Height	31 mm		
No. of screw holes	1		



Part No.	36220	No. of screw	1
EAN	4251269302	holes	
	183	Diam. of screw	4,1 mm
Package	10	holes	
quantity			
Length	26 mm		
Width	22,5 mm		
Height	6,5 mm		
Mounting	2		
height			